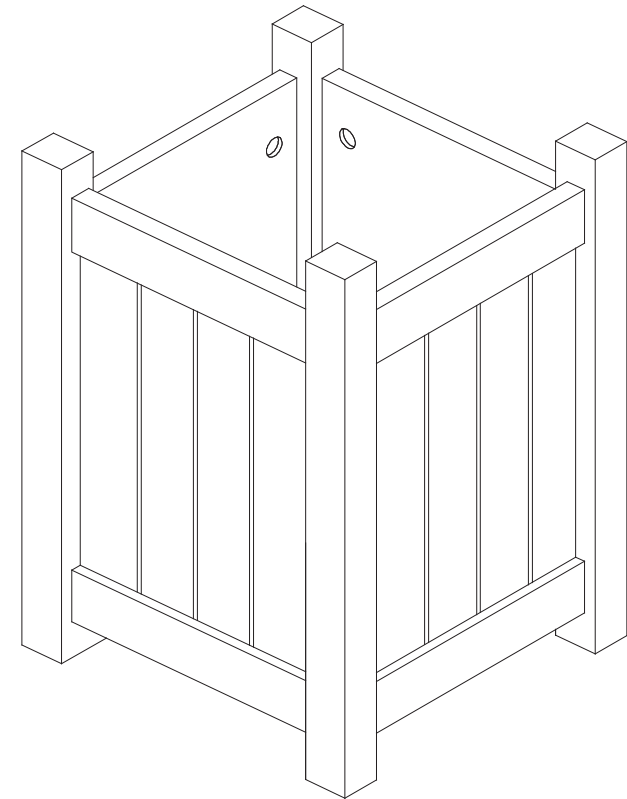
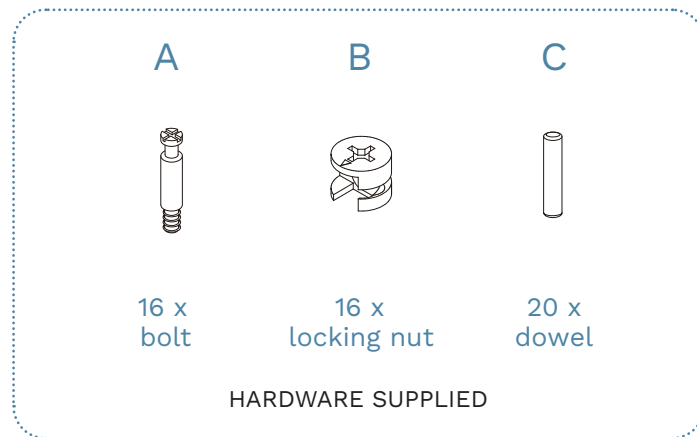


Hamptons Indoor Planter

Assembly Instructions

Thank you for your purchase.
Please follow the instructions below for correct assembly.

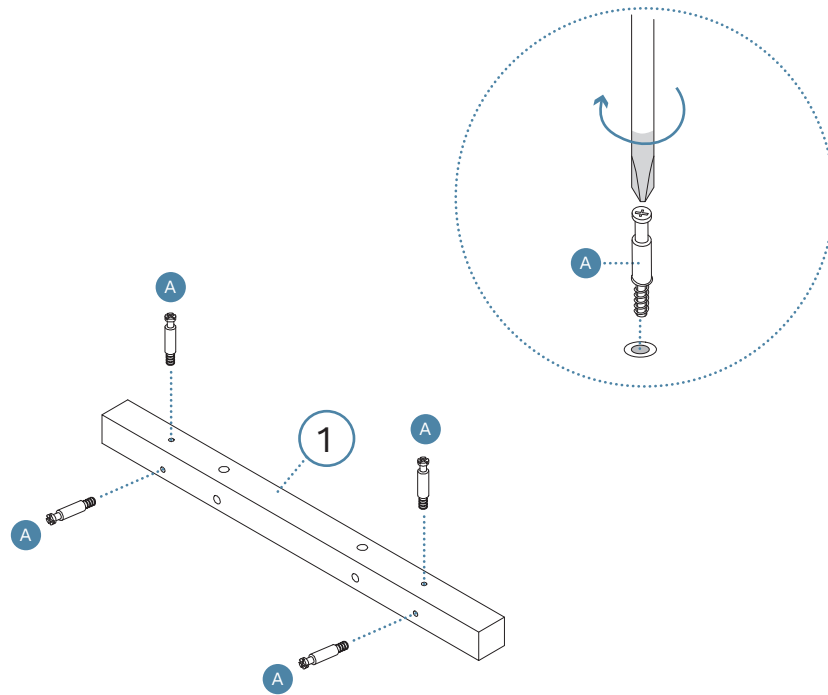


NOT SUITABLE FOR REAL PLANTS
NOT SUITABLE FOR OUTDOORS
INDOOR USE ONLY
AVOID MOISTURE
REMOVE ALL LIQUID OR SPILLS IMMEDIATELY
SPOT CLEAN ONLY WITH DRY WHITE CLOTH

Hamptons Indoor Planter

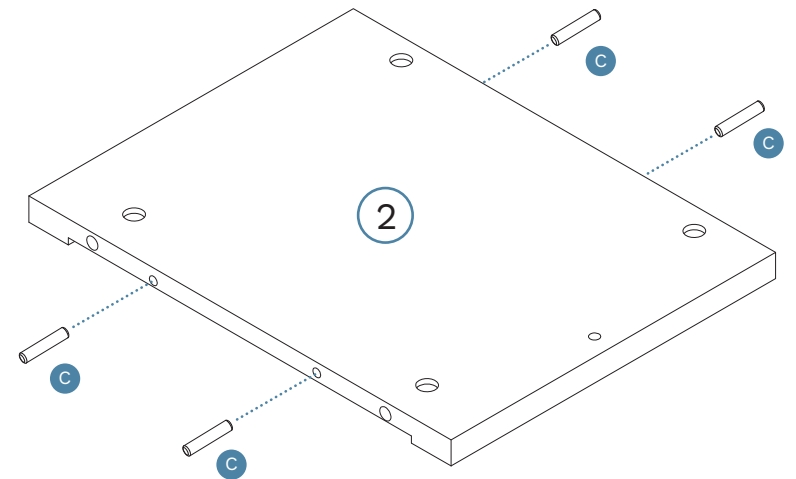
Assembly Instructions

1 Panel piece x 4



Insert 16 x bolts (A) into panels [1]. Tighten with a screwdriver.

2 Panel x 4

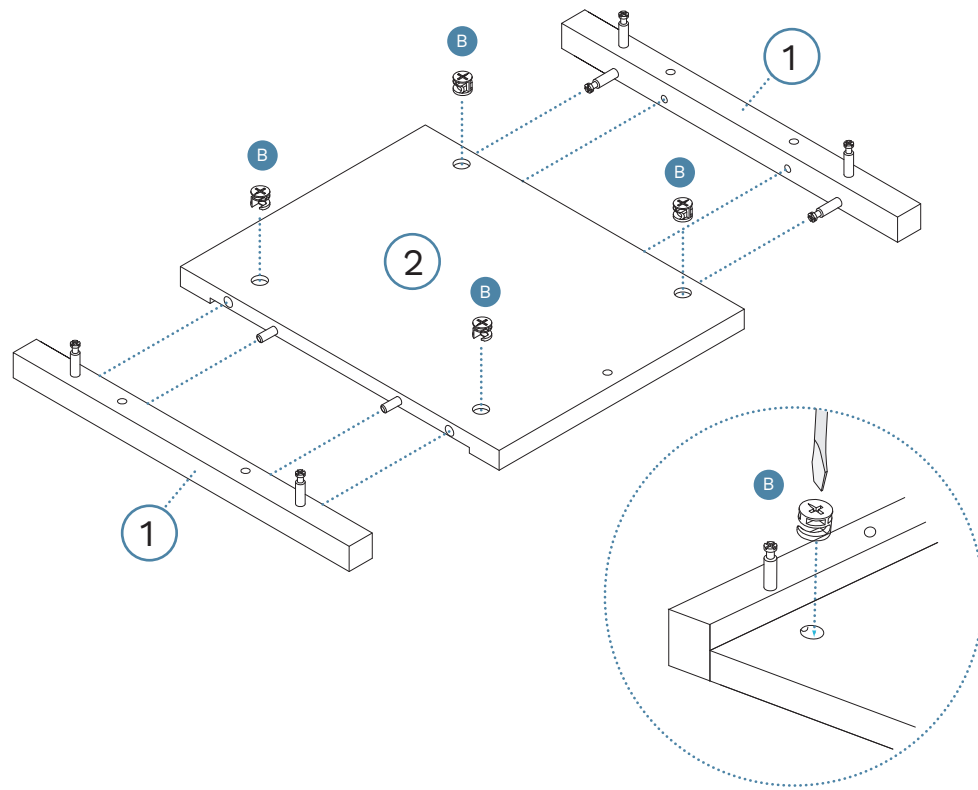


Insert 16 x dowels (C) into panels [2].

Hamptons Indoor Planter

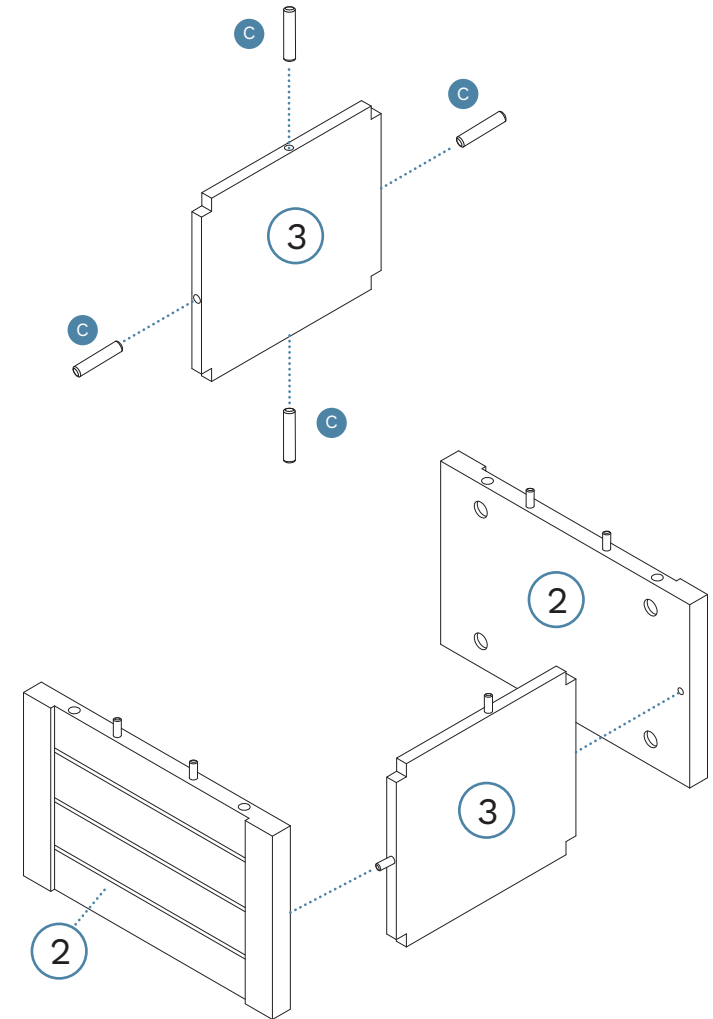
Assembly Instructions

3 Panel x 2



Insert 8 x locking nuts (B) into panel [2]. Tighten with a screwdriver.

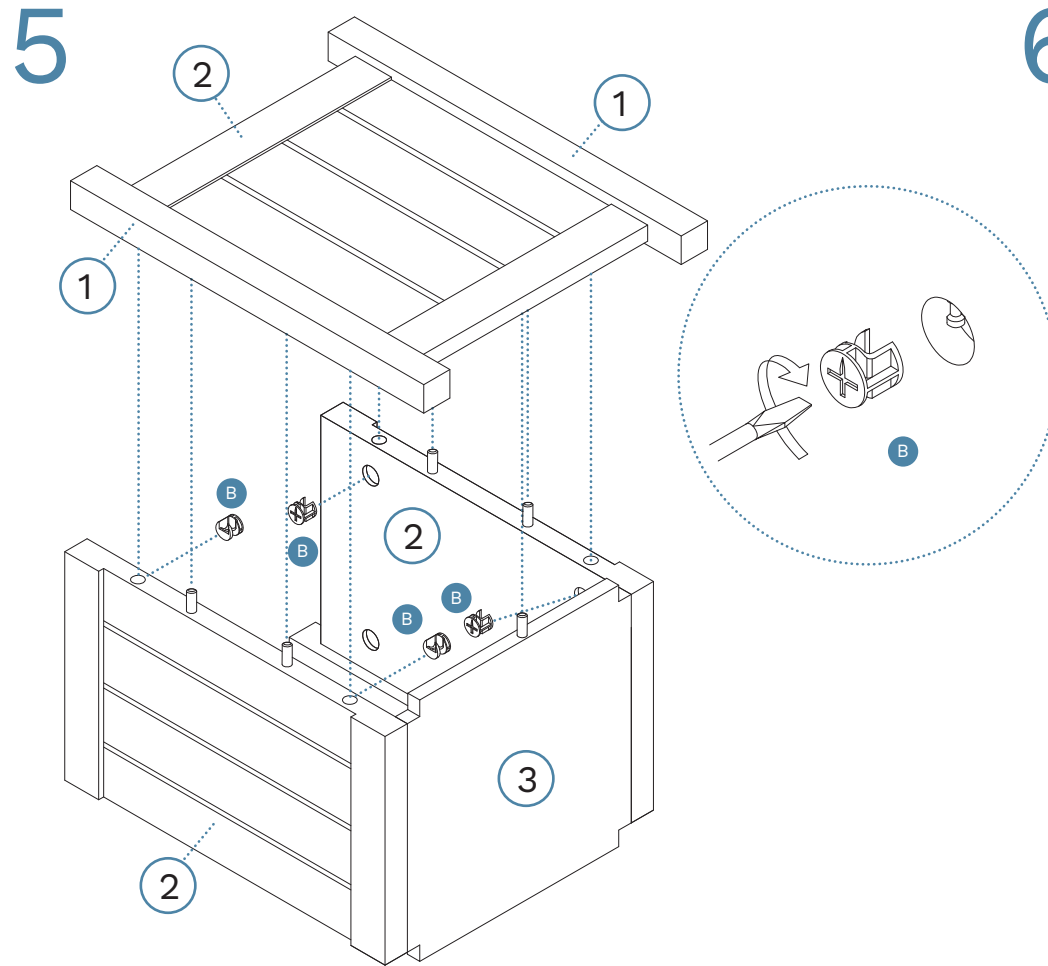
4



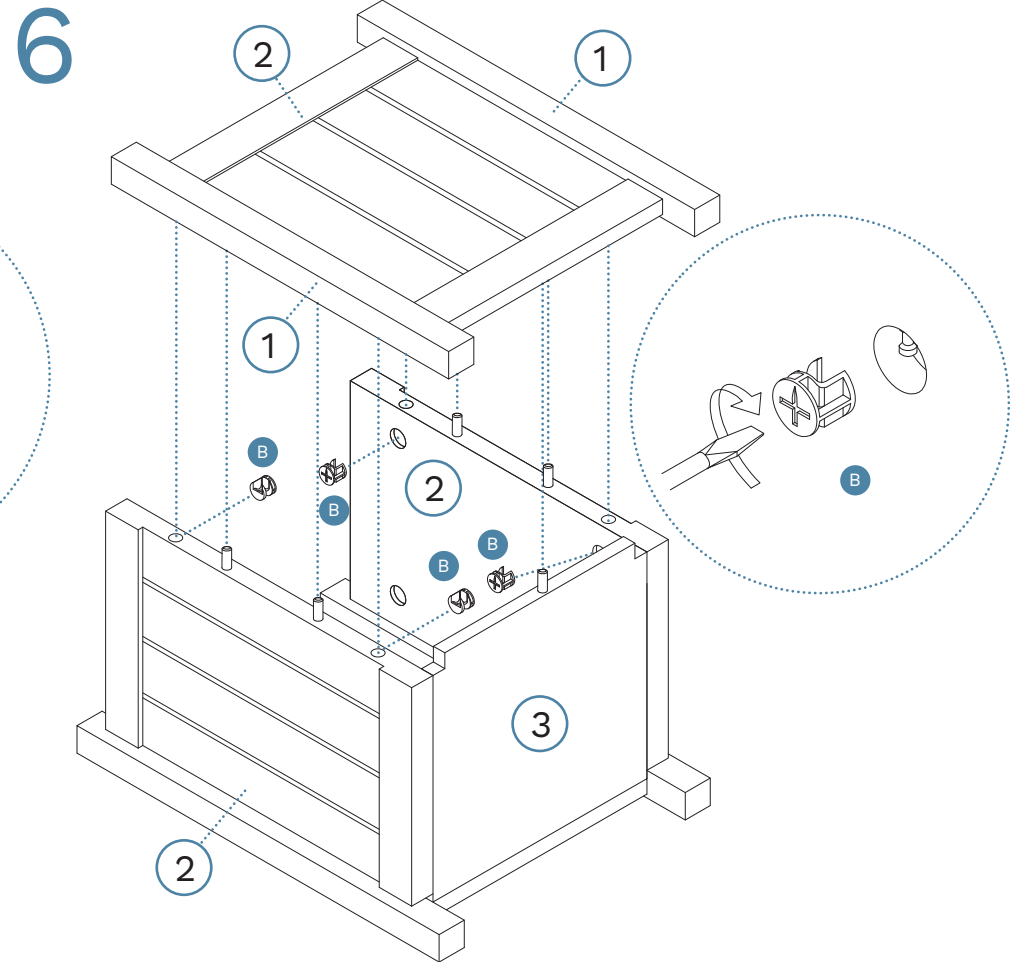
Insert 4 x dowels (C) into panels [3]. Slide panel [3] into panels [2] as shown.

Hamptons Indoor Planter

Assembly Instructions



Attach panels [1] to panels [2] and [3] and secure with 4 x locking nuts (B). Tighten with a screwdriver.



Attach panels [1] to panels [2] and [3] and secure with 4 x locking nuts (B). Tighten with a screwdriver.